

Glove Box : SUS120 Series

for control environment with close system.

These basic compact Dry glove boxes provide low-humidity, low-oxygen Free controlled environment when used with Close system . Includes inlet-outlet gas port for inert gas condition testing . *Glove boxes are ideal choice for laboratory testing cost system in such industries as Laboratory , Research Testing , pharmaceutical , Cosmetic , Semiconductor , Batteries , Electronic , Solar cell and University research.* Dry Glove Box system designed for easy transfer of samples and close system for dry glove box.

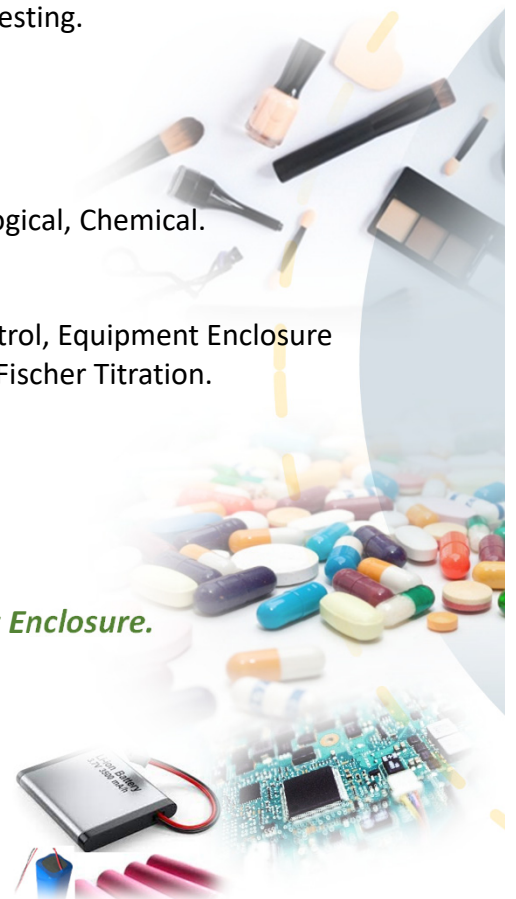
Features:

- **304 Stainless steel thickness 2.0 mm. Tilt-up front window clear Acrylic thickness 12 mm with large opening. Safety with shock-up**
- can be cleaning inside system with the inert gas port.
- Two glove port diameter 200 mm.
- Dry glove boxes provide low-humidity, controlled environment when used with Close system.
- Glove Box design for negative pressure and positive pressure testing.
- Pass box allow convenient sample parts transfer.



Application

- Close system testing for Laboratories of pharmaceuticals, Biological, Chemical.
 - Weighing samples of moisture sensitive drug powders.
 - Experiments that require low-humidity conditions.
 - Operation of various instruments requiring environmental control, Equipment Enclosure such as Automatic titration, Volumetric and Coulometric Karl Fischer Titration.
-
- **Anaerobic Test Glove Box.**
 - **Negative or positive pressure glove box.**
 - **Vacuum Glove box.**
 - **Biosafety Glove Box.**
 - **Benchtop Glove Box for control Environment Equipment Enclosure.**
 - **Gas control system nitrogen purge for low –humidity.**
 - **Temperature and Humidity control.**
 - **Programmable process Controller Temperature and Humidity ..**
 - **Basic Research Glove Box.**



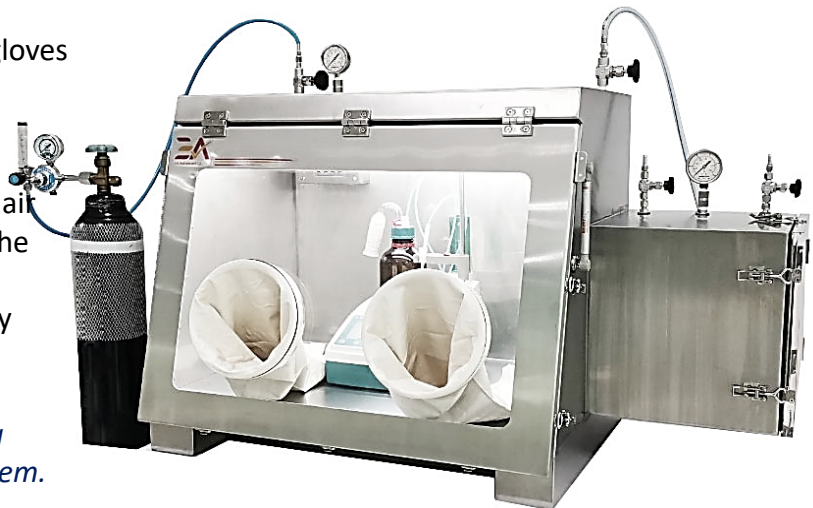
Basic Glove Box

- Dry glove boxes provide low-humidity, controlled environment when used with Close system.
- Glove Box design for negative pressure and positive pressure testing.
- Environment Equipment Enclosure for application Microscope , Balance.



Chamber

- Easy open and operate system .
- Glove Port ID 200 mm for use Long gloves Diameter 220 mm, Length 800 mm.
- Gloves Box Model S80PLUS With ... is special system. There are 2 systems, namely the system that filters clean air (Can choose filters to the needs of the work) and automatic systems that control the temperature and humidity inside the gloves box. .
- Gas (N₂, O₂, or Air) in port Push-to Connect fitting and gas-out bleeding valve. Flow meter for gas control system. Glove port with O-Ring 1 Set (2 pcs)



Pass Box

- The AIR BOX is Accessories transfer samples into the glove box Size W350 x D350 x H350 mm. Side open window. The 300 x 300 mm. opening allows for parts to be easily placed inside the glove box with door slide.
- Gas (N₂, O₂, or Air) in port Push-to Connect fitting and gas-out bleeding valve. Flow meter for gas control system. Glove port with O-Ring 1 Set (2 pcs)



Specifications:



3A Instrument Co., Ltd.

Model	SUS120 -30	SUS120 -31	SUS120 -3123	SUS120 -3124	SUS120 -3125	SUS120 -3127	SUS120 -3128	SUS120 -3129
Material Stainless Steel SUS304.	Stainless Steel SUS304							
Material SUS304 Thickness :	Thickness 2 mm							
External Dimensions (Main Chamber)	W 1200 x D 800 x H 900 mm.							
Working Area Dimensions	W 1200 x D 800 x H 800 mm.							
Lighting 15 W .	Yes.							
Gas Port : for inert gas such as nitrogen, argon, air, etc.	Yes. (2 pcs.)							
Analog Pressure Gauge : 0-10 bar	Yes.							
Door open big side : form Acrylic Material Thickness 12 mm .	W 1100 x D 900 mm.							
Glove Port Diamention (2 pcs) :	ID 200 mm							
Pass Box for sample transfer : - Size : W350 x D350 x H350 mm - Inlet/Outlet Gas Port , 2 pcs - Analog Pressure 0-10 bar, 1 pcs	-	Yes.	Yes.	Yes.	Yes.	Yes.	Yes.	Yes./ 2 set
Carbon Filter with Blower	-	-	Yes.	-	-	-	-	-
Hepa Filter with Blower	-	-	-	Yes.	-	-	-	-
Auto Dry for low humidity	-	-	-	-	Yes.	-	-	-
Temperature & Dehumidity Control - Thermoelectric Cooler - Anti-Condensation Heater - Dehumidifier	-	-	-	-	-	Yes	-	-
Programmable process Controller - Control Temperature step - Dehumidity Control	-	-	-	-	-	-	Yes 99 step Yes	-
PLC Controller	-	-	-	-	-	-	-	Yes.
O₂ Purification units.	Options.							
Power Socket : 220V,50-60 Hz,	Yes. (2 Channel.)							
Gloves: Port ID 220 mm,Length 800 mm	Yes. (Options) Material : Natural Rubber /Neoprene/CSM/BHP/PUR/EPDM							

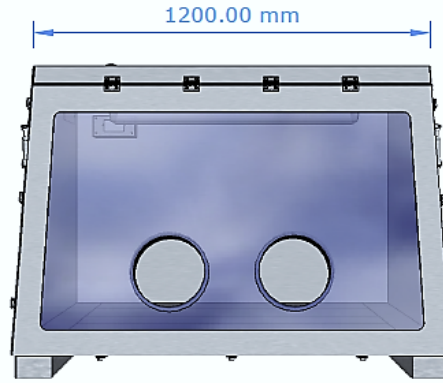
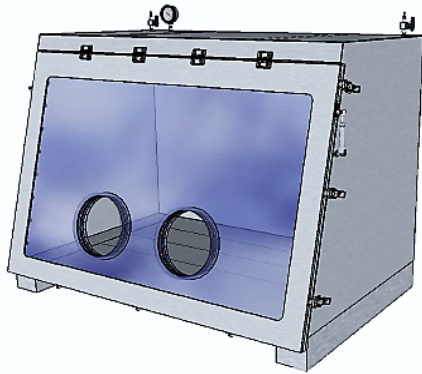


Drawing dimensions

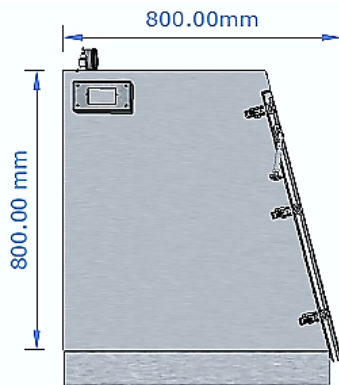
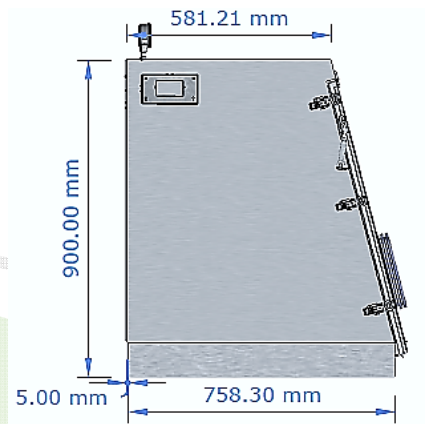
Easy Maintenance and Testing



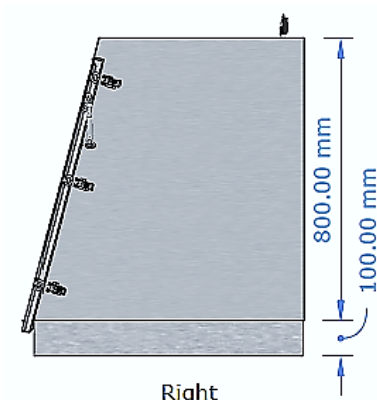
3A Instrument Co., Ltd.



Front



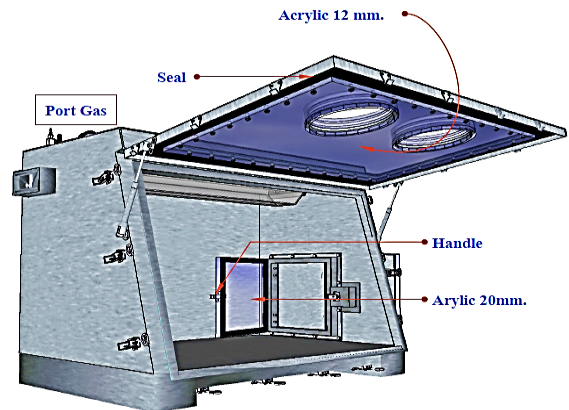
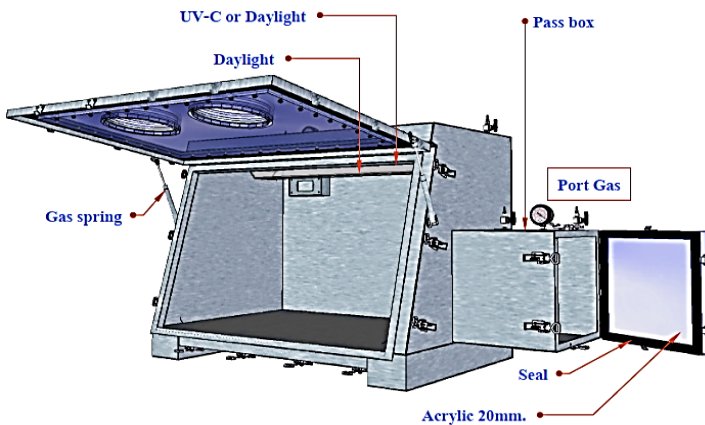
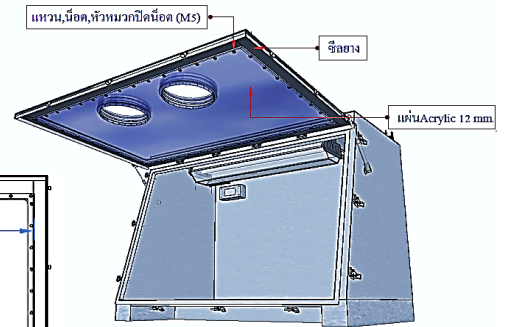
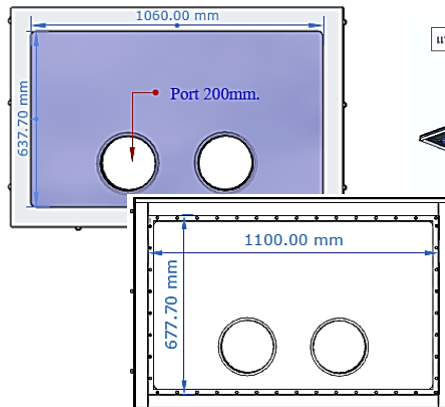
Left



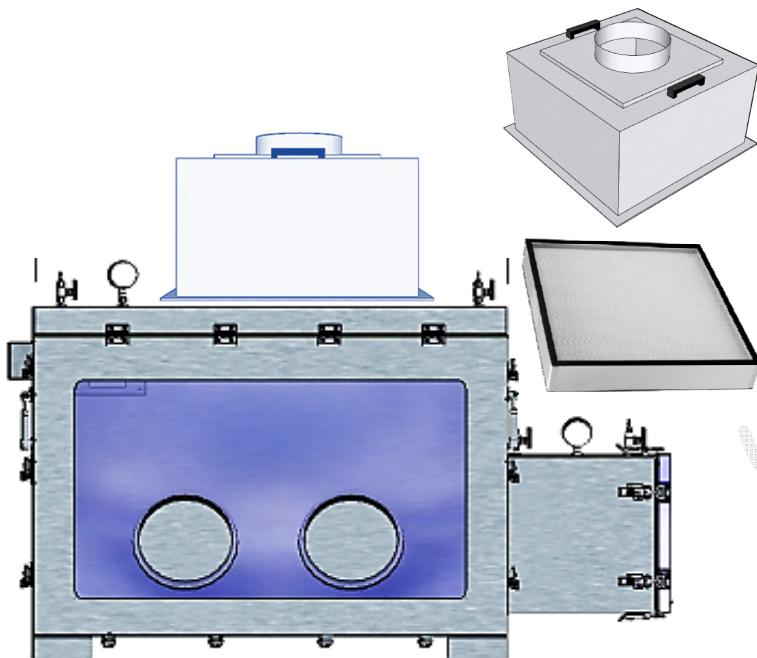
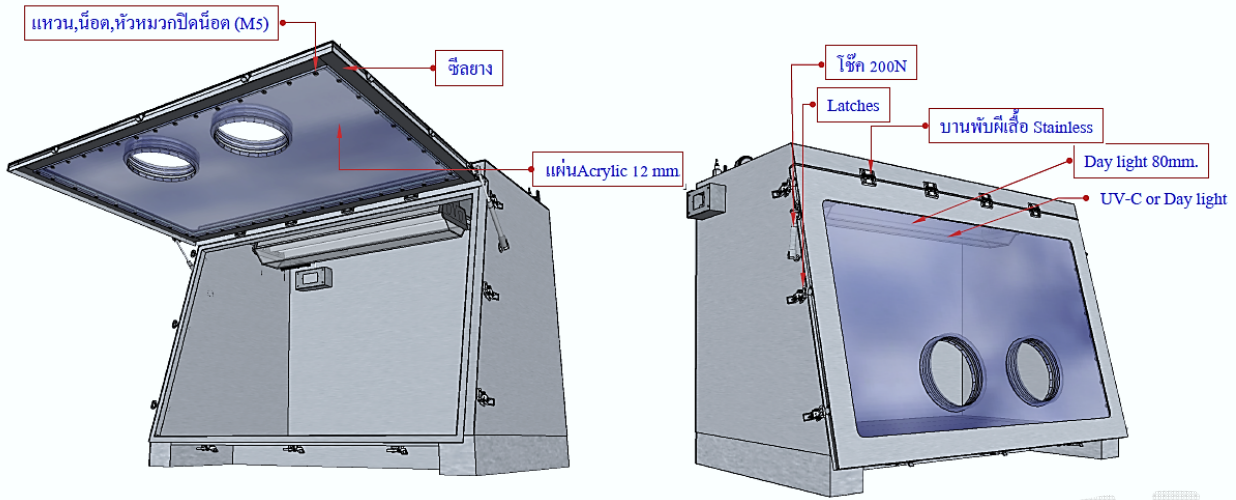
Right

Main Chamber

- External Chamber Dimension :
W 1200 x D 800 x H 900 mm.
- Working Area Dimension :
W 1200 x D 800 x H 800 mm.
- Main Chamber : Stainless Steel
Thickness : 2 mm
- Open Door internal Dimension
: 1100 x 700 mm.



Drawing dimensions



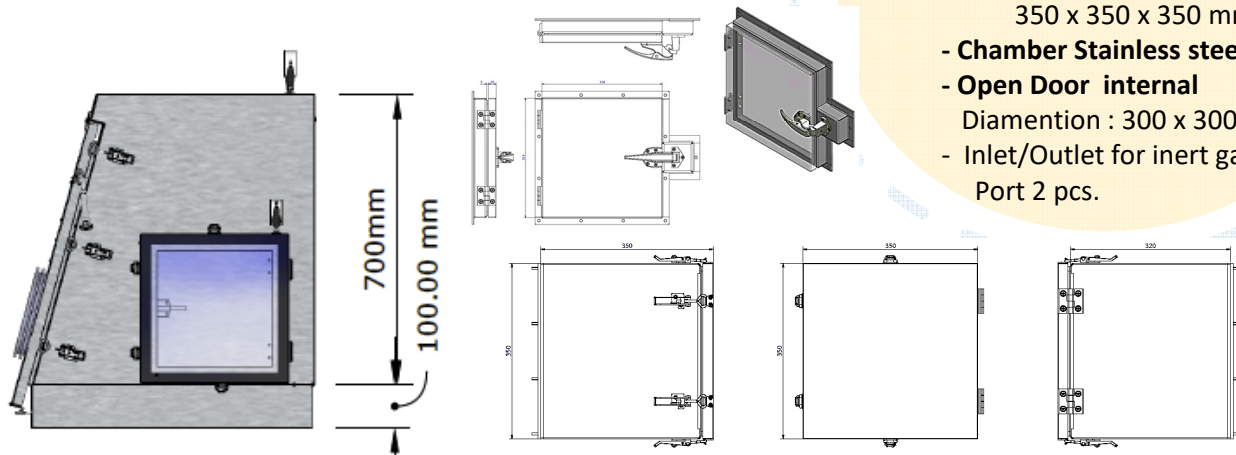
Hepa Filter

- HEPA-Filtered with blower Glove Boxes have inlet and outlet HEPA filters and provide barrier to protect the operator from hazardous airborne particulates and powders.
- Carbon- filter with Blower Glove Box Helps prevent dust and chemicals.

Pass Box

- Door Clear Acrylic : thickness 25 mm.
- External Diamention : 350 x 350 x 350 mm.
- Chamber Stainless steel 304
- Open Door internal Diamention : 300 x 300 mm.
- Inlet/Outlet for inert gas Port 2 pcs.

Door Open Transfer sample



Accessories / Spare Part



Molecular sieve



Humidity Temperature Datalogger



POM Glove Port



Gloves for ISOLATOR Piercan FRANCE



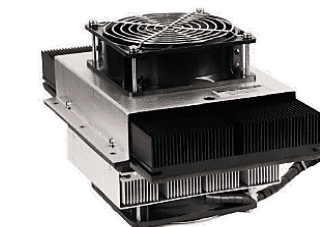
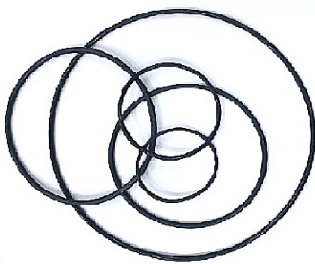
Oil Free Laboratory Chemical Resistant Vacuum



EDPM O-ring for Glove Port



Vacuubrand MZ 2C NT 1.2CFM Chemistry Diaphragm Pump 110V - Chemical Resistance



Air to air thermoelectric Cooler



Digital Temperature Controller

Technical Dry Gloves for Glove Box

Technical Material gloves for all industrial and laboratory testing.



PIERCAN Glove is high quality product form France. The range of gloves that PIERCAN offers is very wide, comprising dry box gloves, sleeve, and isolator glove.



CSM

Chlorosulfonated Polyethylene glove (CSM).

- Resistance to ozone, UV and Sterilizing agents (VHP*).
- Excellent mechanical properties.
- Resistance to ionizing radiation and sterilizing process (Gamma and Beta Radiation).

VHP* (Vaporous hydrogen peroxide)



Black EPDM

Ethylene Propylene Diene Monomer glove.

- Antistatic
- Excellent Flexibility and dexterity.
- Excellent chemical properties, good mechanical properties.
- Composition in accordance with the FDA positive list (CFR 21 § 177. 2600).
- Resistance to AUTOCLAVE, GAMMA & VHP Sterilization 75 cycles of 30 minutes at 121 °C.



Natural Rubber

Natural rubber glove (polyisoprene)

- Excellent flexibility and dexterity
- Good resistance to alcohols, reducing acids and diluted bases.

DRY GLOVE

for the Pharmaceutical and Cosmetics manufacturing.



Neoprene

Polychloroprene glove

- Good mechanical properties.
- Good general resistance to chemical products.
- Very good resistance to sterilisation agents (hydrogen peroxide) and radiation sterilisation (Gamma and Beta rays).
- Good technical and cost-effective compromise
- Self-extinguishing.



POLYURETHANE

POLYURETHANE glove

- Excellent mechanical properties (punctures, tears, abrasion)
- Highly resistant to ozone and UV rays



POLYURETHANE / CSM

Two layer polyurethane and chlorosulfonated polyethylene glove.

- A glove that combines mechanical properties (polyurethane) with chemical resistance (CSM)
- Good resistance to chemical sterilising agents (CSM side)
- High resistance to ozone and UV. Good resistance to ionising radiation.
- Excellent resistance to disinfectants.



High Butyl Properties

Polyisoprene isobutylene glove.

- Electrostatic dissipative glove in accordance with EN 16350.
- Highly impermeable to liquids and gases
- Good ability to withstand chemical products
- Highly resistant to ozone and UV rays
- Good flexibility and dexterity
- Antistatic (compliant with European standard EN 16350-2014)